

MATERIAL AND FINISH:

Insulator: Polycarbonate, UL-94V-0 rated

Contacts: Brass, Nickel plated

ELECTRICAL SPECIFICATIONS:

Inlet Current rating: 10 A   

Fuse Holder Current rating: 6A   10A 

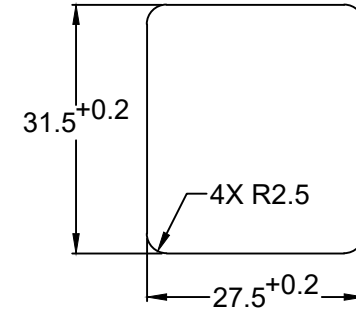
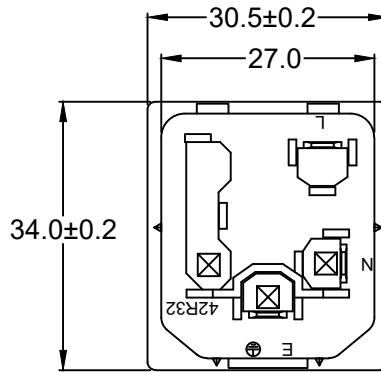
Voltage rating: 250 VAC

Insulation resistance:

100 Mohm min. at 500 VDC

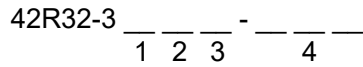
Dielectric withstanding voltage:

2000 VAC for one minute



RECOMMENDED
PANEL CUTOUT

ORDERING CODE:



1) COLOR


- 1 = BLACK
- 2 = GRAY


2) TERMINAL OPTIONS

- 1 = .187(4.8)
- 2 = .250(6.3)

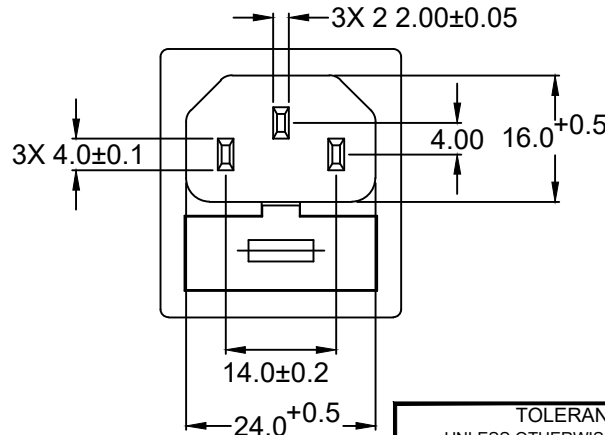
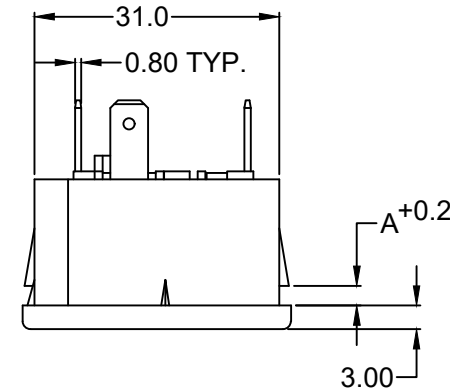
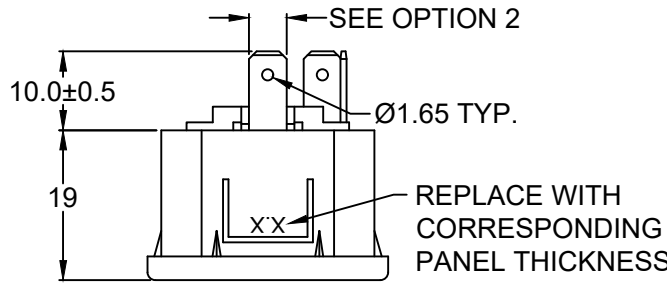
3) ELECTRICAL CIRCUIT CONFIGURATION

1 = 10A 250V 70°C
2+GROUND 

2 = 10A 250V 120°C
2+GROUND 

4 = 10A 250V 70°C
2 POLE 

4) PANEL THICKNESS



P/N	A	MAX. PANEL THICKNESS
42R32-3XXX-100	1.0	1.0
42R32-3XXX-150	1.5	1.5
42R32-3XXX-200	2.0	2.0
42R32-3XXX-250	2.5	2.5

ADDITIONAL PANEL THICKNESS
AVAILABLE ON REQUEST

REVISIONS		CHANGE	CHK	CHK	APPR
REV	DATE	DESCRIPTION	BY	DATE	BY
A	2/7/13	ADD 1.0 PANEL; GRU WAS CSA	PB		
B	12/15/21	REVISED CURRENT RATING	PB		

TOLERANCE UNLESS OTHERWISE SPECIFIED	
X	± 1
X.X	± 0.4
X.XX	± 0.20
DRAWN BY	GQ
CHECK BY	TD
DATE:	09/09/01
DATE:	09/09/01
DATE:	09/09/01

RoHS
COMPLIANT

Power Dynamics, Inc.

Phone: 973 560-0019 Whippany, New Jersey Fax: 973 560-0076

PART: IEC 60320 SINGLE FUSE HOLDER APPL. INLET;
QUICK CONNECT TERMINALS; SNAP-IN

PART #: 42R32-3XXX-XXX		SHEET 1 of 1
SIZE: A	ALL DIMENSIONS FOR REFERENCE ONLY DIMENSIONS ARE IN MILLIMETERS	REV: B
SCALE: NTS		